



DIGITAL INDUSTRIES SOFTWARE

Solid Edge Technical Publications

Share designs more easily with attractive illustrations and interactive technical documents

Benefits

- Easily create raster and vector images and multi-page technical documents, directly from Solid Edge 3D parts and assemblies
- Start technical documentation earlier in the process
- Eliminate the need for specialized technical authors or external services
- Communicate more easily with customers
- Rapidly update documentation when designs change
- Reduce documentation errors
- Support NX imports with tight integration of Siemens products

Overview

The ability to clearly communicate the correct manufacturing, installation and maintenance procedures for designs is essential to the performance of your products and the success of your business. By using Solid Edge technical publications solutions, your designers can quickly create many types of technical documents, including work instructions, maintenance manuals, user guides and spare parts catalogs.

Solid Edge® software, which is part of the Siemens Xcelerator portfolio, the comprehensive and integrated portfolio of software, hardware and services, provides an innovative approach to product development for the mainstream market. Solid Edge technical publications solutions are seamlessly integrated with Solid Edge® software and others in the Siemens Xcelerator portfolio, such as NX. The tight integration allows you to work directly with your Solid Edge parts and assemblies, eliminates the need to convert computer-aided design (CAD) files and enables the support of imports from NX and more.

Streamlining the documentation process

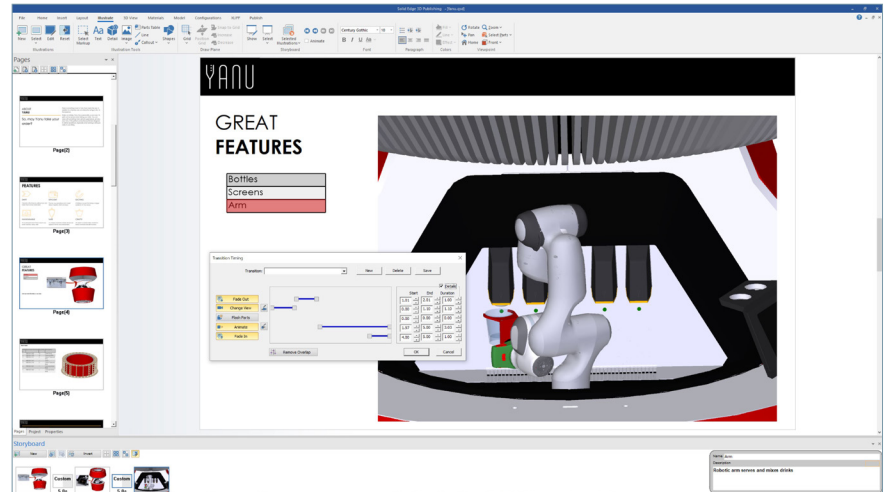
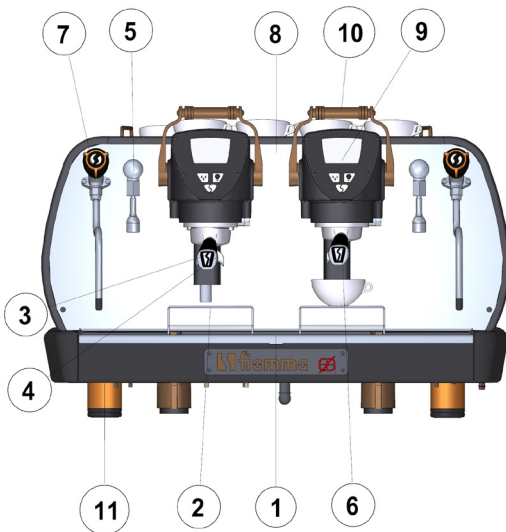
Solid Edge technical publications is a powerful tool that enables you to streamline your documentation process with time-saving features for rapidly creating and updating documents. Instructions or product catalogues, including 3D graphics, can be created faster, and help reduce costly mistakes.

SIEMENS

solidedge.siemens.com

Features

- Create and publish industry-standard 3D PDF and web-based HTML-5 documentation that can be viewed without additional plugins
- Publish professional SVG graphics with optional interactive parts lists
- Automate creation of instruction steps and parts lists with easy-to-use storyboard wizards
- Rapidly lay out document pages using smart templates
- Import/export Solid Edge section views and PMI data
- Import JT files for working with multiple 3D CAD sources
- Import files such as SVGs and PDFs with vector graphic imports
- Batch publish illustrations to custom sizes, best matching the intent of the graphics
- Easily interact in the 3D viewing environment by clicking on various model parts to initiate certain actions
- Access and update design data directly from Teamcenter PLM software



In Solid Edge technical publications, the storyboard wizard can be used to automatically create step-by-step processes from exploded views. The wizard sets up view-points, hides and selects appropriate information based on the exploded step or parts lists. The storyboard wizard can be used with smart templates for a two-step process to quickly insert multiple pages into a document. Smart templates also allow users to create multi-page documents based on illustrations, parts lists or configurations. By utilizing the grouping feature in the storyboard, illustrations can be grouped together in an organized manner to ensure a smoother workflow.

Additionally, Solid Edge technical publications tools simplify working with large models by organizing them into subsets. Selection tools help organize groups of parts and subassemblies into named sets, making it easier and faster to select, show or hide multiple parts at the same time. These features, combined with the ability to import multiple 3D CAD files into one document, provide an efficient and optimal documentation workflow.

Solid Edge Illustrations

Solid Edge Illustrations provides an efficient workflow to create custom parts lists and animated instructions. Multiple illustrations can be created and organized into a storyboard for easy management. Illustration sizing enables users to publish raster and vector images in custom sizes instead of using the same general size for all published files, this allows for more attractive, useful publication. Solid Edge Illustrations can also output raster and vector graphics as well as template-based 3D PDF and HTML5.

Solid Edge 3D Publishing

Solid Edge 3D Publishing, which also includes Solid Edge Illustrations, is essential for creating technical documentation. With Solid Edge 3D Publishing, combine 3D illustrations and page design to create multi-page documents. Documents can maintain 3D interactivity when published to PDF or HTML. Interactive 3D documents are easy to navigate using common clickable buttons, tables and a thumbnail carousel. Alternatively, documents can be printed or published to static PDF with embedded high-resolution images or vector graphics of 3D content.

Product feature matrix

	Solid Edge Illustrations	Solid Edge 3D Publishing
Type of output	Technical illustrations	Technical documentation
Authoring	Create illustrations from a 3D model	Create multi-page documents with embedded 3D models using page design tools (includes Solid Edge Illustrations)
3D tools	The 3D tools are common between the products, making it easy to switch from one to the other	
Document features	Single-page templated for PDF and HTML5 outputs	Full-featured, multi-page, customizable documents. Support for multiple 3D files in a single document
Print	Batch creation of vector files or raster images from illustrations	Printed, multi-page document or static PDF
Interactive PDF	Single-page template	Entire multi-page document publishes to PDF
Interactive 3D HTML5	Model-only or single-page template	Entire multi-page document publishes to HTML
Working file format	Solid Edge model (QSM)	Solid Edge document (QSD)
Interoperability	QSM files can provide reuse of illustrations between products: <ul style="list-style-type: none"> • Solid Edge Illustrations can export QSM files that can be imported into Solid Edge 3D Publishing • Solid Edge 3D Publishing can export QSM files that can be opened with Solid Edge illustrations • JT import provides multi-CAD support 	
Associative Solid Edge model	Yes	Yes
Support for third-party CAD data	Yes	Yes
Teamcenter Integration	Yes	Yes

Integration with Teamcenter PLM software

Shorten the cycle between design and documentation with Siemens world-class product lifecycle management (PLM) solution, Teamcenter®. Open, save, check in and check out the most recent version of your design data and perform additional data management tasks within the Teamcenter client.

The Teamcenter Integration for Solid Edge Technical Publications add-on enables direct access to your design data, ensuring you're working with the right data, every time.

Powerful collaboration leveraging the cloud

Integration with Teamcenter Share enables you to share and view your technical documentation with customers, suppliers, partners and colleagues anywhere, at any time, from any device. Teamcenter Share features the world-class, next generation collaboration tools to help you collaborate on design and engineering projects in the cloud. Connected to products across the Siemens Xcelerator portfolio, Share is a rich set of capabilities designed to address your collaboration needs -- instantly, securely and easily.

Teamcenter Share's secure cloud storage gives users confidence that their documentation is protected when stored and/or shared. Share follows Siemens's security baselines and leverages leading technology for data protection and storage.

XLIFF Language Translation

Reach a larger, global market using XLIFF language translation to easily translate and localize digital documents. Available as an add-on, the Solid Edge XLIFF Language Translation module provides import/export functionality for language translation for both 3D Publishing and Illustrations.

Seamlessly integrated into the Solid Edge user interface, the module exports a zip file that includes XLIFF and RTF files. An industry standard translation format based on XML, XLIFF is compatible with industry standard translation software to make translation easy. Formatted text, such as text boxes in 3D Publishing, are exported to RTF format so that rich formatting can be maintained or edited during the translation.

Extending value

The Solid Edge portfolio is an integrated set of powerful, comprehensive and accessible tools that advance all aspects of the product development process. Solid Edge addresses today's complexity challenges with automated digital solutions that cultivate creativity and collaboration.

By harnessing the latest innovative technologies in mechanical and electrical design, simulation, manufacturing, publications, data management and cloud-based collaboration, Solid Edge dramatically shortens time-to-market, provides greater production flexibility and significantly reduces costs with its collaborative and scalable solutions.

Minimum system requirements

- Windows 10 Enterprise or Professional (64-bit only) version 1809 or later
- 16 GB RAM
- 65K colors
- Screen resolution: 1920 x 1080
- 8.5 GB of disk space required for installation

Siemens Digital Industries Software
[siemens.com/software](https://www.siemens.com/software)

Americas
1 800 498 5351

Europe
00 800 70002222

Asia-Pacific
001 800 03061910

For additional numbers, click [here](#).